

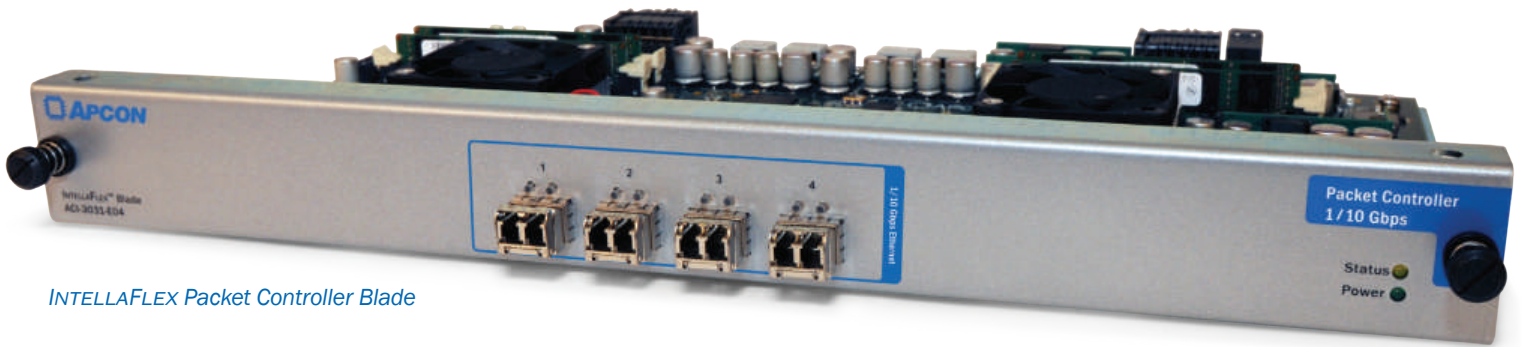
INTELLAFLEX™

4 Port Packet Controller Blade



Four Ports of Configurable 1G/10G Ethernet with Packet Deduplication Capability

The INTELLAFLEX Packet Controller blade provides the ability to eliminate duplicate packets arriving from your network. When the INTELLAFLEX Packet Controller blade is integrated with an APCON INTELLAPATCH® Series 3000 intelligent data traffic management switch equipped with INTELLAFLEX blades, packet deduplication is available to all traffic passing through the switch.

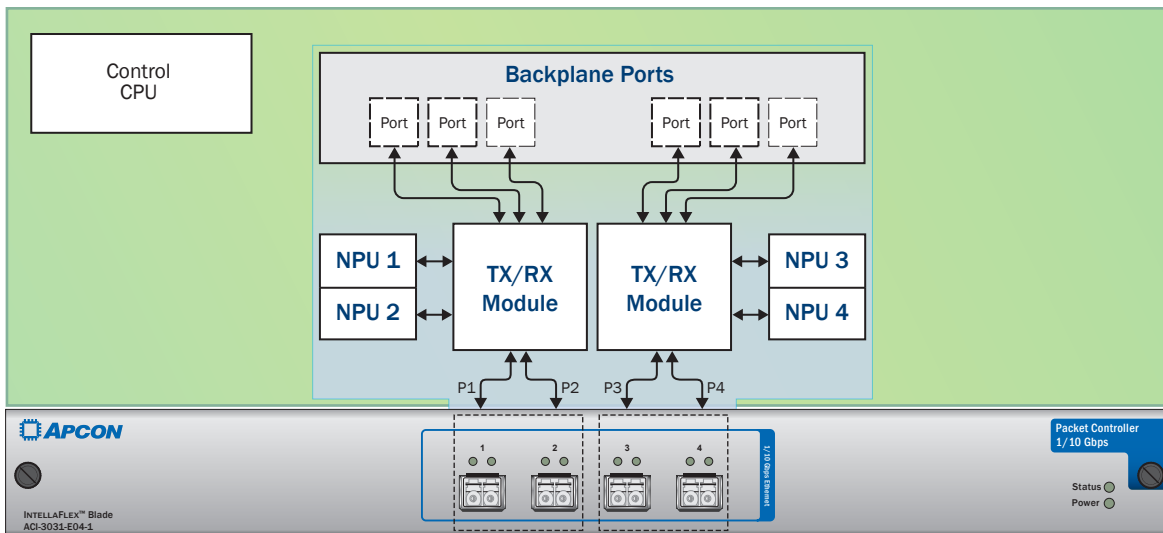


INTELLAFLEX Packet Controller Blade

REAL TIME PACKET DEDUPLICATION

As each packet passes through one of the APCON INTELLAFLEX Packet Controller's four Network Processing Units, it is compared to all packets previously received by that Network Processing Unit within a configurable time window. If the packet is an exact duplicate of a previously received packet (based on selectable criteria), the packet is dropped and not transmitted to the analysis tools.

BLADE FUNCTIONALITY



The Network Processing Units are available to traffic arriving through the front ports of the blade, or to traffic routed through the switch backplane.

(4) 1/10G SFP+ Ports

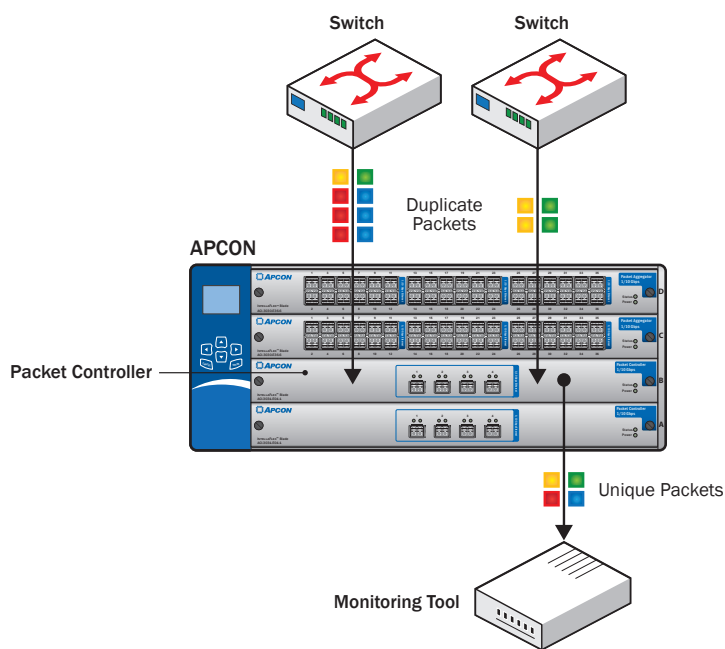
Front Connectors

INTELLAFLEX™ – Packet Controller Blade

MULTIPLE DEDUPLICATION CHANNELS

A key feature of APCON's INTELLAFLEX Packet Controller blade is the ability to perform deduplication on any traffic entering the switch. Deduplication is not restricted to packets entering via the four external ports on the blade. APCON's WEBX switch management software allows engineers to route traffic from any front or backplane port on the blade through any of the four de-duplicating Network Processing Units.

Even correctly configured SPAN ports may report between one and four copies of a given packet. Duplicate packets can represent as much as 50% of total network traffic from SPANs, multiple capture points, and aggregations. Duplicate packets overload tools and hinder effective network monitoring. Eliminating duplicate packets saves money and enhances network visibility.



BLADE SPECIFICATIONS

Description	• Packet Controller Blade – Four 1/10Gbps Ethernet Ports			
Protocols	• 1Gbps Ethernet, 10Gbps Ethernet			
Physical Interfaces	• 4 SFP or SFP+ Ports			
SFP and SFP+ Compatibility	• 1GBASE-LX, 1GBASE-SX, 10GBASE-LR, 10GBASE-SR			
Backplane Interfaces	• 6 × 10Gbps			
Services and Manageability	• CLI	• LCD management	• RADIUS	• SSHv2
	• Web interface	• SNMP: v1, v2, v3	• TACACS+	• HTTP/HTTPS

CHASSIS AND BLADE COMPATIBILITY

Chassis	Blades		
• ACI-3036	• ACI-3030-E18-6	• ACI-3030-E36-6	
• ACI-3072	• ACI-3030-E24-2	• ACI-3010-E18-5	
• ACI-3144	• ACI-3030-E32-7	• ACI-3010-E09-3	
• ACI-3288	• ACI-3030-E36-1	• ACI-3010-E36-2 (1GbE only)	

ORDERING INFORMATION

Model #	• ACI-3031-E04-1 – INTELLAFLEX Packet Controller Blade
----------------	---