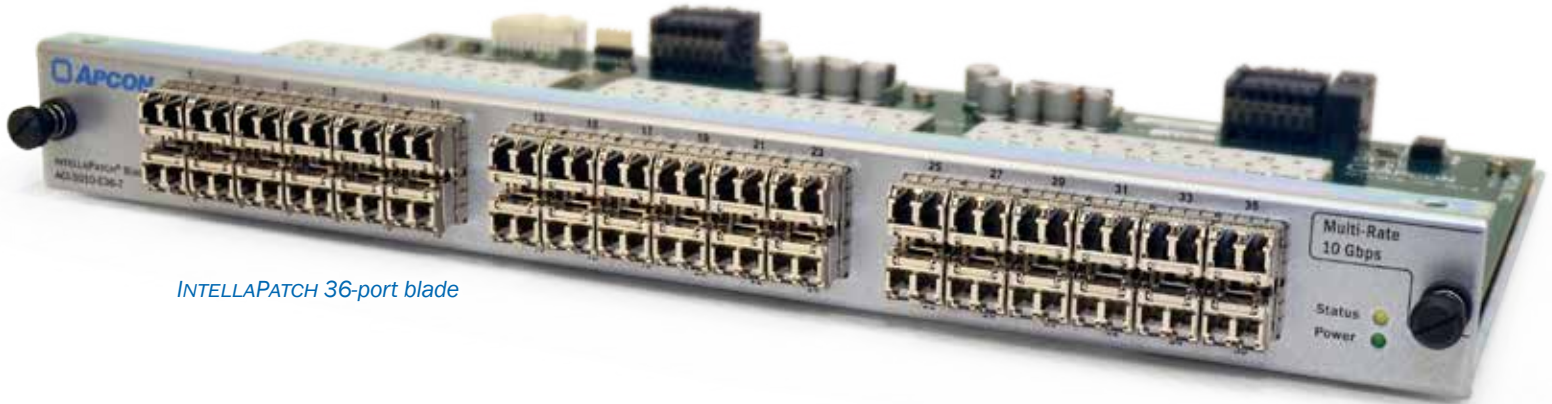


INTELLAPATCH®

36-Port Multi-Rate, Multi-Protocol



36 Ports of 1G & 10G Ethernet or SONET Connectivity

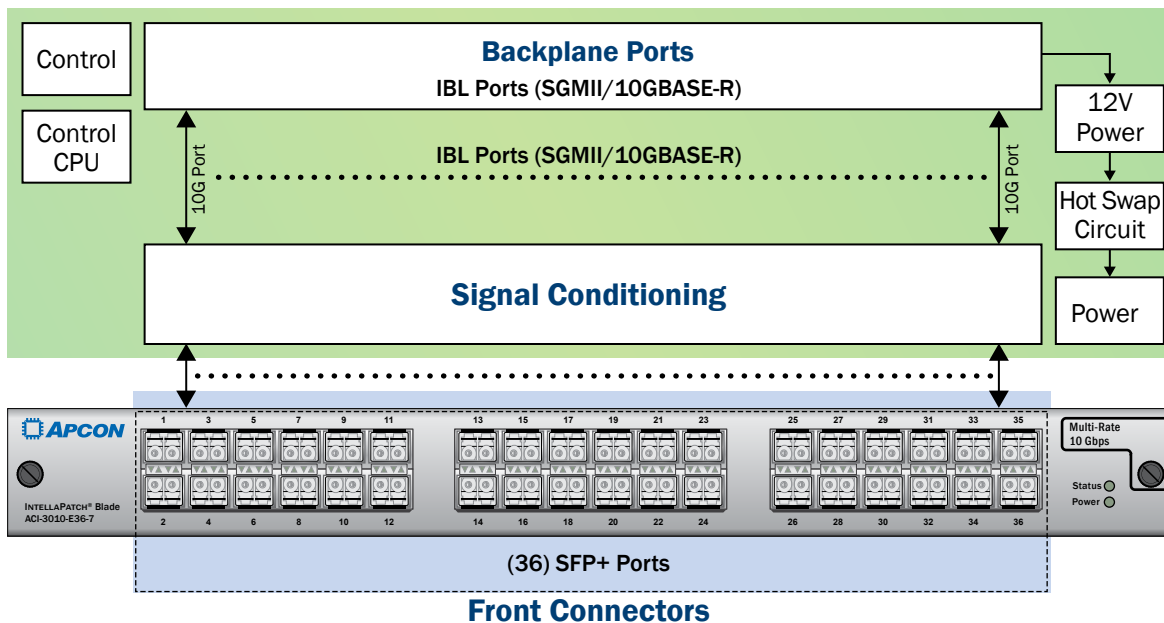


INTELLAPATCH 36-port blade

HIGH-DENSITY 36-PORT BLADE

This 36 port INTELLAPATCH blade provides 36 ports of fiber optic network connectivity. The single-chassis maximum port count with this blade is 144 when installed in the the four-blade chassis. This blade supports low latency point-to-point (full duplex or simplex), multicast (1 to N), and loop topologies.

BLADE FUNCTIONALITY



The 36-port INTELLAPATCH fiber optic blade offers both 1G/10G Ethernet and the OC-192 SONET protocol in the first firmware release. This blade also offers 36 10G inter-blade link (IBL) ports to the switch backplane. Please see page 2 for a complete chassis and blade compatibility list.

INTELLAPATCH® – 36-Port Multi-Rate, Multi-Protocol

BLADE SPECIFICATIONS

Description	<ul style="list-style-type: none">• 36-Port Multi-Protocol Blade – Multi-Rate Optical Fiber
Protocols	<ul style="list-style-type: none">• Ethernet 1Gbps, Ethernet 10Gbps, OC-192; Fast Ethernet*, FDDI*, OC-3*, OC-12*, 1G FC*, 1GE*, 2G FC*, OC-48*, 4G FC*, 8G FC*, CPRI*, 10G FC*, CPRI*
Physical Interfaces	<ul style="list-style-type: none">• 36 SFP/SFP+
Backplane Interfaces	<ul style="list-style-type: none">• 36 10GBASE-R SGMII
Media Conversion	<ul style="list-style-type: none">• Yes
Rate Conversion	<ul style="list-style-type: none">• No
Dimensions	<ul style="list-style-type: none">• 14.45" W × 8.00" D × 1.50" H (36.7 cm W × 20.3 cm D × 3.8 cm H)
Power	<ul style="list-style-type: none">• 110 Watts (all ports linked at 10 Gbps)
Thermal Load	<ul style="list-style-type: none">• 375.0 BTU/hr
Weight	<ul style="list-style-type: none">• 3.0 lbs (1.36 kg) with no transceivers installed
Panel Status	<ul style="list-style-type: none">• Power, Status and 2 LED per port for Link and signal status
Temperature Ranges	<ul style="list-style-type: none">• Operating Temperature: 32° to 113° F (0° to 45° C)• Storage Temperature: -40° to 158° F (-40° to 70° C)• Humidity: 10% to 85% (noncondensing)
Services and Manageability	<ul style="list-style-type: none">• CLI• LDAP• RADIUS• SSHv2• Web interface• SNMP: v1, v2, v3• TACACS+• HTTP/HTTPS

* Future. Only OC-192 and 10Gbps Ethernet supported in initial firmware release.

BLADE COMPATIBILITY

INTELLAPATCH® Series 3000 Chassis Compatibility	<ul style="list-style-type: none">• 2RU Extended Capacity 72 Port Switch Chassis – ACI-3072-XE• 4RU Extended Capacity 144 Port Switch Chassis – ACI-3144-XE
--	--

ORDERING INFORMATION

Model #	<ul style="list-style-type: none">• ACI-3010-E36-7 – INTELLAPATCH Multi Rate Blade – 36 Port Optical Multi Rate Blade SFPs must be purchased separately.• ACI-3010-E36-7S-01 – INTELLAPATCH Multi Rate Blade – 36 Port Optical Multi Rate Blade Includes 36 Dual Rate OC-192/STM-64, 10GE Single Mode SFP+ transceivers (ACI-0202-195-R), or 10GE Multimode SFP+ transceivers (ACI-0201-196-R)
Warranty Period	<ul style="list-style-type: none">• 1 Year Warranty included with all purchases• Advanced Maintenance and Support options available