

INTELLATAP[®]

Switch-Embedded Managed Tap



Eight 1G/10G Fiber Ethernet Taps and Two INTELLAFLEX Aggregation Ports

The INTELLATAP blade simplifies network monitoring and security efforts by providing managed Taps embedded into an APCON INTELLAPATCH Series 3000 chassis. This integrated failsafe design eliminates unnecessary cabling and connections, improving both reliability and security. The INTELLATAP blade is a managed Tap offering statistics, diagnostics, and SNMP capabilities, while maintaining the failsafe characteristics of a passive Tap. Pass-through link connectivity is maintained at all times.

With two fully functional INTELLAFLEX ports included, the INTELLATAP offers full packet aggregation, data rate conversion, port tagging and packet filtering capabilities.

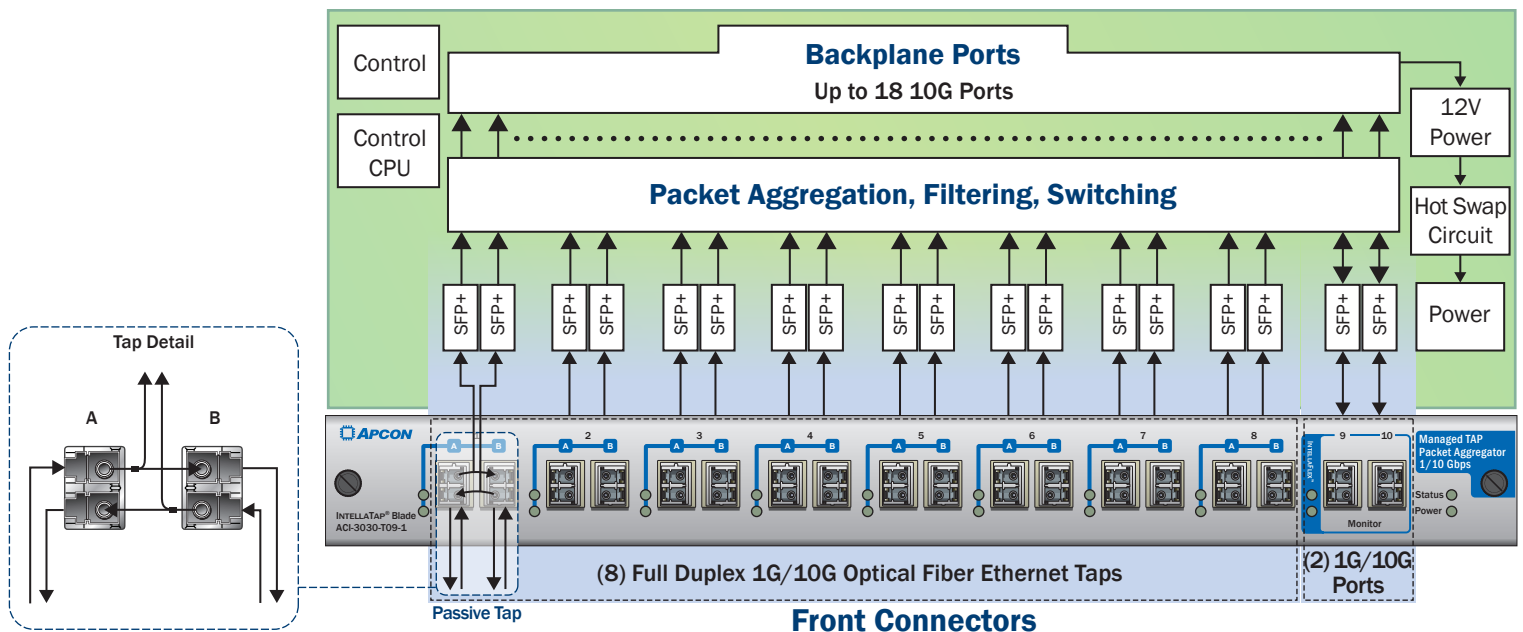


INTELLATAP embedded tapping blade

HIGH-DENSITY BLADE TAPS EIGHT CONNECTIONS

INTELLATAP is a high-density 1G/10G blade that offers eight full-duplex 1G/10G optical fiber Ethernet Taps, and two fully functional INTELLAFLEX switch ports, configurable at 1G or 10G. The INTELLAFLEX ports offer full packet aggregation and filtering services. INTELLATAP can be configured with 1G or 10G multimode or single mode optics. INTELLATAP integrates with 1G, 10G, and 40G INTELLAPATCH and INTELLAFLEX switch blades in any 2RU, 4RU, or 8RU APCON chassis.

BLADE FUNCTIONALITY



The INTELLATAP blade offers integrated connectivity with 10G INTELLAFLEX and INTELLAPATCH Series 3000 blades. INTELLATAP offers 8 full duplex 1G/10G Taps in Multimode or Single Mode fiber, with 18 backplane ports. Please see page 2 for a complete chassis and blade compatibility list.

INTELLATAP® – Switch-Embedded Managed Tap

BLADE SPECIFICATIONS

Description	• Integrated Tapping Blade – eight 1G/10G optical fiber Ethernet Taps, with two INTELLAFLEX switch ports			
Protocols	• 1 Gbps Ethernet, 10 Gbps Ethernet			
Physical Interfaces	• LC Full Duplex (18)			
Optical Ports Support	• 10GBASE-SR, 10GBASE-LR, 1000BASE-SX and 1000BASE-LX			
Optics	<ul style="list-style-type: none"> • Multimode 50µm 50/50 • Multimode 50µm 60/40 • Multimode 50µm 70/30 • Multimode 62.5µm 50/50 • Multimode 62.5µm 60/40 • Multimode 62.5µm 70/30 • Singlemode 9µm 1310nm 50/50 • Singlemode 9µm 1310nm 60/40 • Singlemode 9µm 1310nm 70/30 • Singlemode 9µm 1550nm 50/50 • Singlemode 9µm 1550nm 60/40 • Singlemode 9µm 1550nm 70/30 			
Backplane Support	• 18 × 10GBASE-R			
Services and Manageability	• CLI • Web interface	• LDAP • SNMP: v1, v2, v3	• RADIUS • TACACS+	• SSHv2 • HTTP/HTTPS

CHASSIS AND BLADE COMPATIBILITY

Chassis	Blades	
• ACI-3036	• ACI-3010-E09-3	• ACI-3030-E18-6
• ACI-3072	• ACI-3010-E18-3*	• ACI-3030-E24-1
• ACI-3072-XE	• ACI-3010-E18-5	• ACI-3030-E24-2
• ACI-3144	• ACI-3010-E36-2	• ACI-3030-E32-7
• ACI-3144-XE	• ACI-3010-E36-3*	• ACI-3030-E36-1
• ACI-3288	• ACI-3010-E36-4	• ACI-3030-E36-6
	• ACI-3011-T09-1	• ACI-3030-T09-1

* ACI-3010-E18-3 and ACI-3010-E36-3 blades compatible only with ACI-3072-XE and ACI-3144-XE chassis

ORDERING INFORMATION

Model #	<ul style="list-style-type: none"> • ACI-3030-T09-1M – INTELLATAP Integrated Tapping Blade <ul style="list-style-type: none"> – 8 full duplex Taps in 10GBASE-SR, 1000BASE-SX, 850nm Multimode Fiber Ethernet Backplane ports: 18 ports 10 Gbps • ACI-3030-T09-1S – INTELLATAP Integrated Tapping Blade <ul style="list-style-type: none"> – 8 full duplex Taps in 10GBASE-LR, 1000BASE-LX, 1310nm Single Mode Fiber Ethernet Backplane ports: 18 ports 10 Gbps
----------------	---