

# APCON Resolves SPAN Port Contention for Global Contractor



## Case Study

A large multinational oil and gas industry company undertakes projects in energy exploration and production. The company maintains offices worldwide, but is headquartered in the United States and in the United Arab Emirates. APCON allowed this company to resolve SPAN port contention and achieve total network visibility through packet aggregation and filtering.



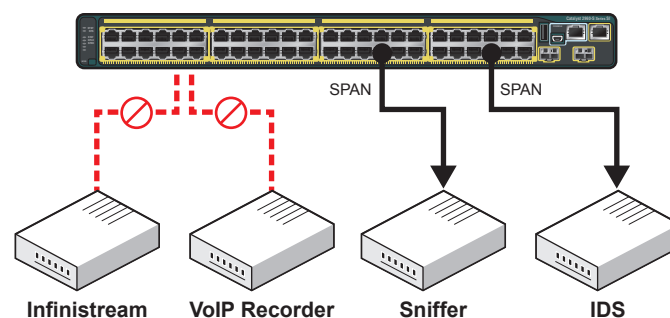
- **APCON intelligent data traffic management switches eliminate SPAN port contention**
- **SPAN port contention occurs when multiple tools depend on a single SPAN port for data feed**
- **Packet aggregation and one-to-many multicast is the required solution**
- **Enterprise-grade network monitoring switches by APCON deliver needed data to the right tools, regardless of the number of SPAN ports**

## Challenge

This company's data center challenge is one that often turns up in major multinational corporations – the need to address SPAN port contention in a data center primarily made up of Cisco switches.

Most Cisco switches are limited to two “Rx” or “Both” direction SPAN sessions per switch. SPAN (or mirror) port contention occurs when there are too many network monitoring tools competing for simultaneous access to a SPAN port data stream. Multiple stakeholders using packet analyzers, APM tools, VoIP tools, and others can easily overwhelm limited SPAN ports. Those stakeholders may have legitimate needs to access those data streams, but data centers often have limited resources to create additional SPAN ports to serve multiple tools.

Furthermore, in trusted data centers such as this customer's installation, certain stakeholders may not have security clearance to view all data.



*Problem: With only two SPAN ports configurable on most switches, only some tools can be connected at any given time.*

## APCON Solution Eliminates SPAN Port Contention

APCON switches eliminate SPAN port contention through packet aggregation, filtering, and multicast capabilities. The APCON solution aggregates and then multicasts SPAN data streams, using tool-specific egress filtering on each multicast port to allow the data streams to be tailored to the specific requirements set by the monitoring device.

# Case Study – APCON Resolves SPAN Port Contention for Global Contractor



## ABOUT APCON

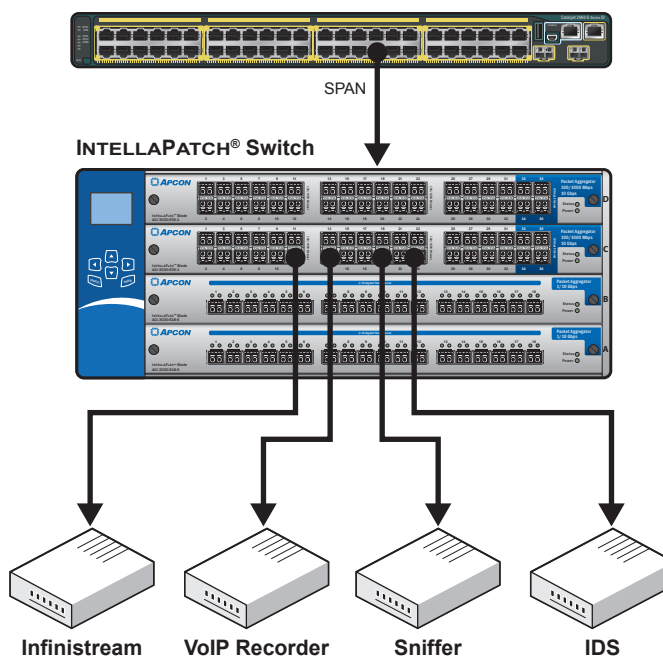
APCON develops innovative, scalable technology solutions to enhance network monitoring, support IT traffic analysis, and streamline IT network management and security. APCON is the industry leader for state-of-the-art IT data aggregation, filtering, and network switching products, as well as leading-edge management-software support. Organizations in over 50 countries depend on APCON network infrastructure solutions. Customers include Global Fortune 500 companies, banks and financial services institutions, telecommunication service providers, government and military, and computer equipment manufacturers.

## Contact Us

Please email [sales@apcon.com](mailto:sales@apcon.com) or call 503-682-4050 if you have any questions

Data rate conversion is also required at these data centers, so that the output from a 10G Ethernet SPAN port may be filtered and then monitored by a 1G Ethernet device. This extends the useful life of older 1G tools and saving the substantial additional expense of a 10G tool that would be only partially subscribed.

To achieve all these benefits, a packet aggregating network monitoring switch such as the APCON INTELLAPATCH® Series 3000 with INTELLAFLEX™ blades is required. The INTELLAPATCH switch with INTELLAFLEX blades eliminates SPAN port contention by multicasting the data from a single SPAN port to multiple tools and provide the flexibility to precisely filter the data to the set that each tool needs to receive.



*Solution: The APCON switch takes the output of a single SPAN port and multicasts the stream to any number of tools. The APCON switch also filters the data stream for each tool, eliminating SPAN port contention.*

## Results

By implementing an intelligent data traffic management system using APCON network monitoring switches, this customer was able to eliminate resource contention and provide each set of stakeholders with access to a common set of tools. This allows the company to delay or eliminate future tool purchases, providing an ongoing return on investment. Additionally, APCON's scalable architecture preserves the initial investment as the company's needs grow.