

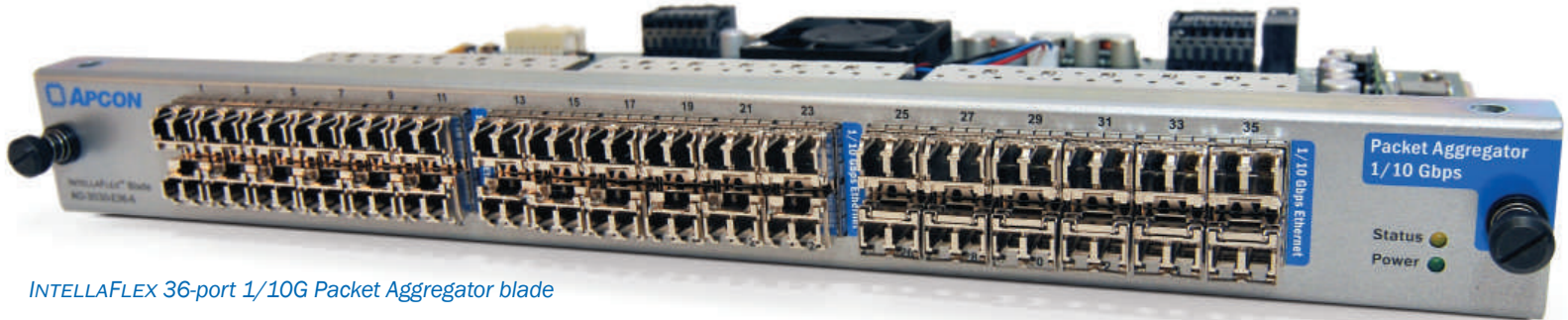
INTELLAFLEX

36-Port Packet Aggregator Blade



36 ports of 1/10G Ethernet

INTELLAFLEX is an innovative solution designed for monitoring and security applications in enterprise networks. With APCON's combined aggregation, filtering, load balancing and switching technology, users are able to electronically share an inventory of expensive monitoring devices—often distributed across multiple locations—while preventing oversubscription and data loss.

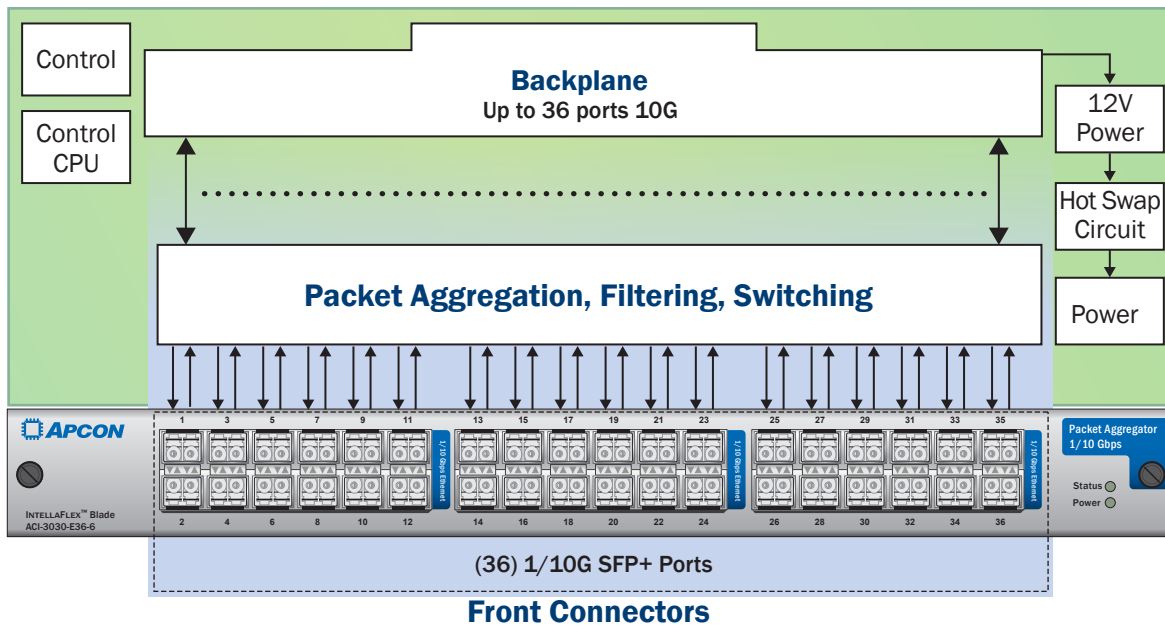


INTELLAFLEX 36-port 1/10G Packet Aggregator blade

HIGH-DENSITY 36-PORT BLADE

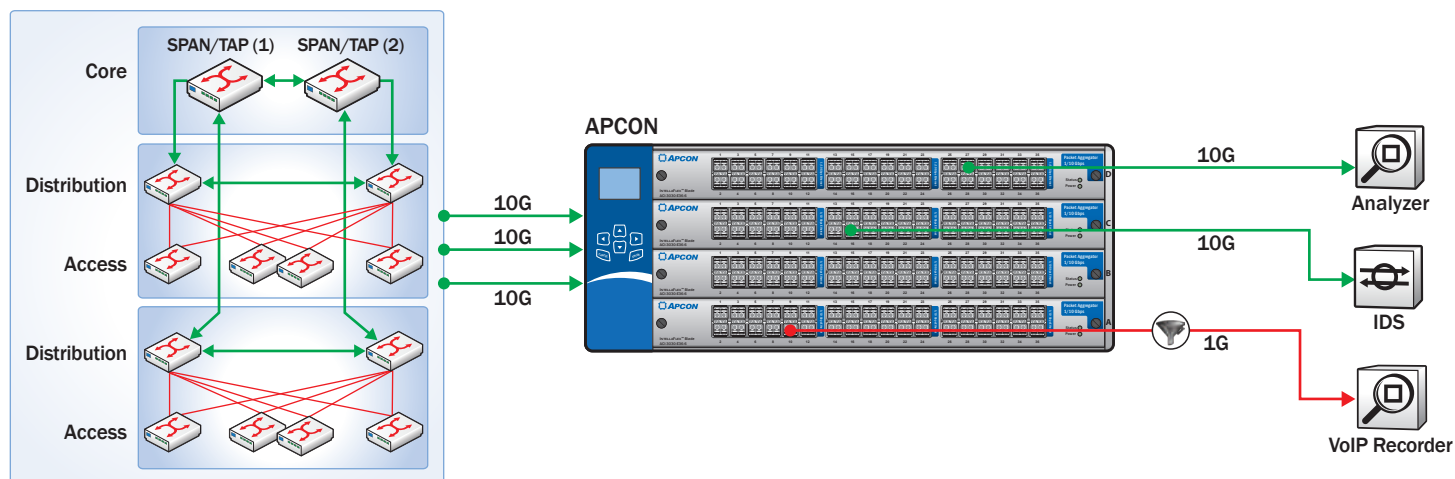
This blade is ideal for applications requiring port aggregation functionality with a higher number of 10G connections. This blade offers 36 ports of configurable 1/10G Ethernet. This blade offers existing INTELLAFLEX installations the ability to double 10G port density without replacing the chassis.

BLADE FUNCTIONALITY



INTELLAFLEX – 36-Port Packet Aggregator Blade

BLADE APPLICATION



BLADE SPECIFICATIONS

Description	• 36-Port Packet Aggregator Blade – 36 ports 1/10G Ethernet			
Protocols	• 10 Gbps Ethernet, 1 Gbps Ethernet			
Media Conversion	• Yes			
Rate Conversion	• Yes			
Physical Interfaces	• SFP, SFP+ (36)			
SFP Ports Support	• 1000BASE-T, 1000BASE-LX, 1000BASE-SX			
SFP+ Ports Support	• 10GBASE-LR, 10GBASE-SR			
Backplane Interfaces	• 36 × SGMII, 36 × 10GBASE-R			
Packet Switching Capacities	• 1.28 Tbps			
Services and Manageability	• CLI • Web interface	• LDAP • SNMP: v1, v2, v3	• RADIUS • TACACS+	• SSHv2 • HTTP/HTTPS

CHASSIS AND BLADE COMPATIBILITY

Chassis	Blades		
• ACI-3036	• ACI-3010-E09-3	• ACI-3030-E24-1	
• ACI-3072 / ACI-3072-XE	• ACI-3010-E18-5	• ACI-3030-E24-2	
• ACI-3144 / ACI-3144-XE	• ACI-3011-T09-1	• ACI-3030-E36-1	
• ACI-3288	• ACI-3030-E18-6		

ORDERING INFORMATION

Model #	• ACI-3030-E36-6 – INTELLAFLEX 36 Port Aggregation/Filtering Blade
----------------	---