

INTELLAFLEX™

18-Port Packet Aggregator Blade



18 ports of configurable 1G/10G fiber optic Ethernet

INTELLAFLEX is an innovative solution designed for monitoring and security applications in enterprise networks. With APCON's combined aggregation, filtering, load balancing and switching technology, users are able to electronically share an inventory of expensive monitoring devices—often distributed across multiple locations—while preventing oversubscription and data loss.

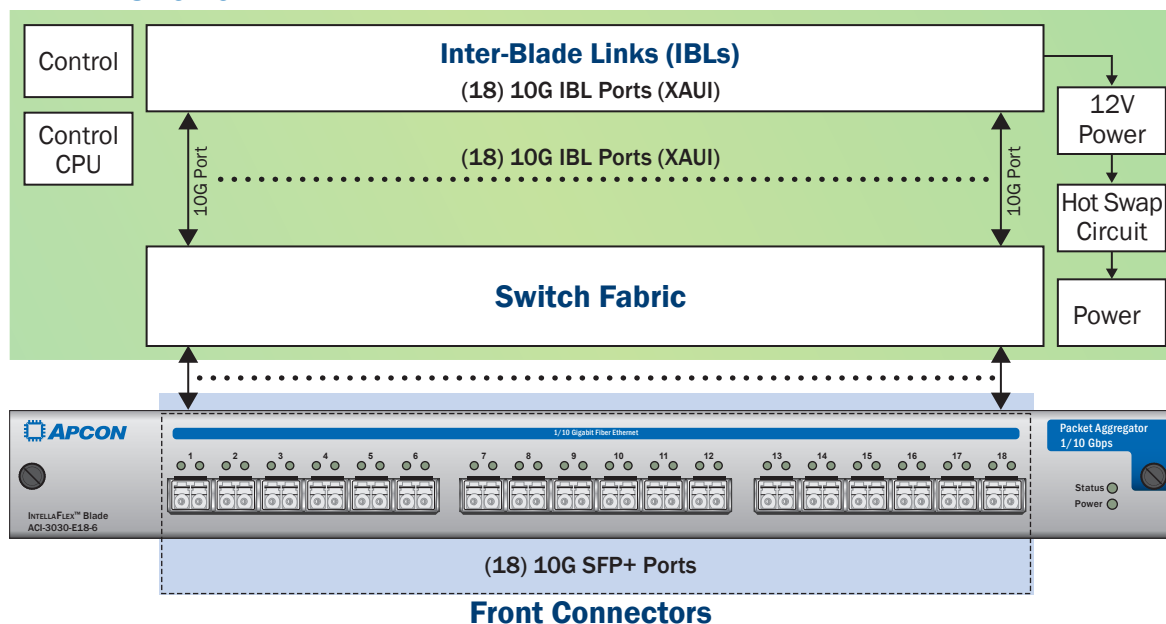


INTELLAFLEX 18-port
Packet Aggregator blade

HIGH-DENSITY 18-PORT BLADE

This 18-port fiber optic Ethernet blade is a high-density 10G blade that offers 18 user-configurable ports of 1G/10G fiber optic Ethernet. The single-chassis maximum port count with this blade is 144 ports of 10G when installed in the eight-blade INTELLAPATCH® chassis, and 72 ports of 10G when installed in the four-blade chassis—providing competitive 10G port density in a compact frame.

BLADE FUNCTIONALITY



This 18-port INTELLAFLEX Packet Aggregator blade offers interconnectivity with other INTELLAFLEX and INTELLAPATCH Series 3000 blades. This blade offers 18 inter-blade link (IBL) ports in 1G or 10G. Please see page 2 for a complete chassis and blade compatibility list.

INTELLAFLEX™ – 18-Port Packet Aggregator Blade

BLADE SPECIFICATIONS

Description	• 18-Port Packet Aggregator Blade – 18 Ports 1G or 10G Optical Fiber Ethernet			
Protocols	• 1G Fiber Ethernet (18) or 10G Fiber Ethernet (18)			
Physical Interfaces	• 18 × SFP or 18 × SFP+			
SFP Ports Support	• 1000T, 1000SX, 1000LX, 802.3ah transmit only, or copper SFP at 1G			
SFP+ Ports Support	• 10GBASE-SR, 10GBASE-LR, 10GBASE-LRM, 10G SFP DA, SFP+ DA active, and SFP+ DA passive			
Backplane Interfaces	• 18 × 1G or 18 × 10G			
Packet Switching Capacities	• 864 million packets/second			
Services and Manageability	• CLI • Web interface	• LCD management • SNMP: v1, v2, v3	• RADIUS • TACACS+	• SSHv2 • HTTP/HTTPS

CHASSIS AND BLADE COMPATIBILITY

Chassis <ul style="list-style-type: none">• ACI-3036• ACI-3072• ACI-3144 & ACI-3144-XE• ACI-3288	Blades <ul style="list-style-type: none">• ACI-3030-E18-6• ACI-3030-E24-1• ACI-3030-E24-2• ACI-3030-E36-1	<ul style="list-style-type: none">• ACI-3030-E32-7• ACI-3030-E36-6• ACI-3011-E18-1• ACI-3011-T09-1	<ul style="list-style-type: none">• ACI-3010-E09-3• ACI-3010-E18-5• ACI-3010-E36-2• ACI-3010-E36-4
--	---	---	---

ORDERING INFORMATION

Model #	• ACI-3030-E18-6 – INTELLAFLEX 18-Port Aggregation/Filtering Blade
----------------	---



Contact Us

Please email sales@apcon.com if you have any questions

ABOUT APCON

APCON develops innovative, scalable technology solutions to enhance network monitoring, support IT traffic analysis, and streamline IT network management and security. APCON is the industry leader for state-of-the-art IT data aggregation, filtering, and network switching products, as well as leading-edge management-

software support. Organizations in over 50 countries depend on APCON network infrastructure solutions. Customers include Global Fortune 500 companies, banks and financial services institutions, telecommunication service providers, government and military, and computer equipment manufacturers.